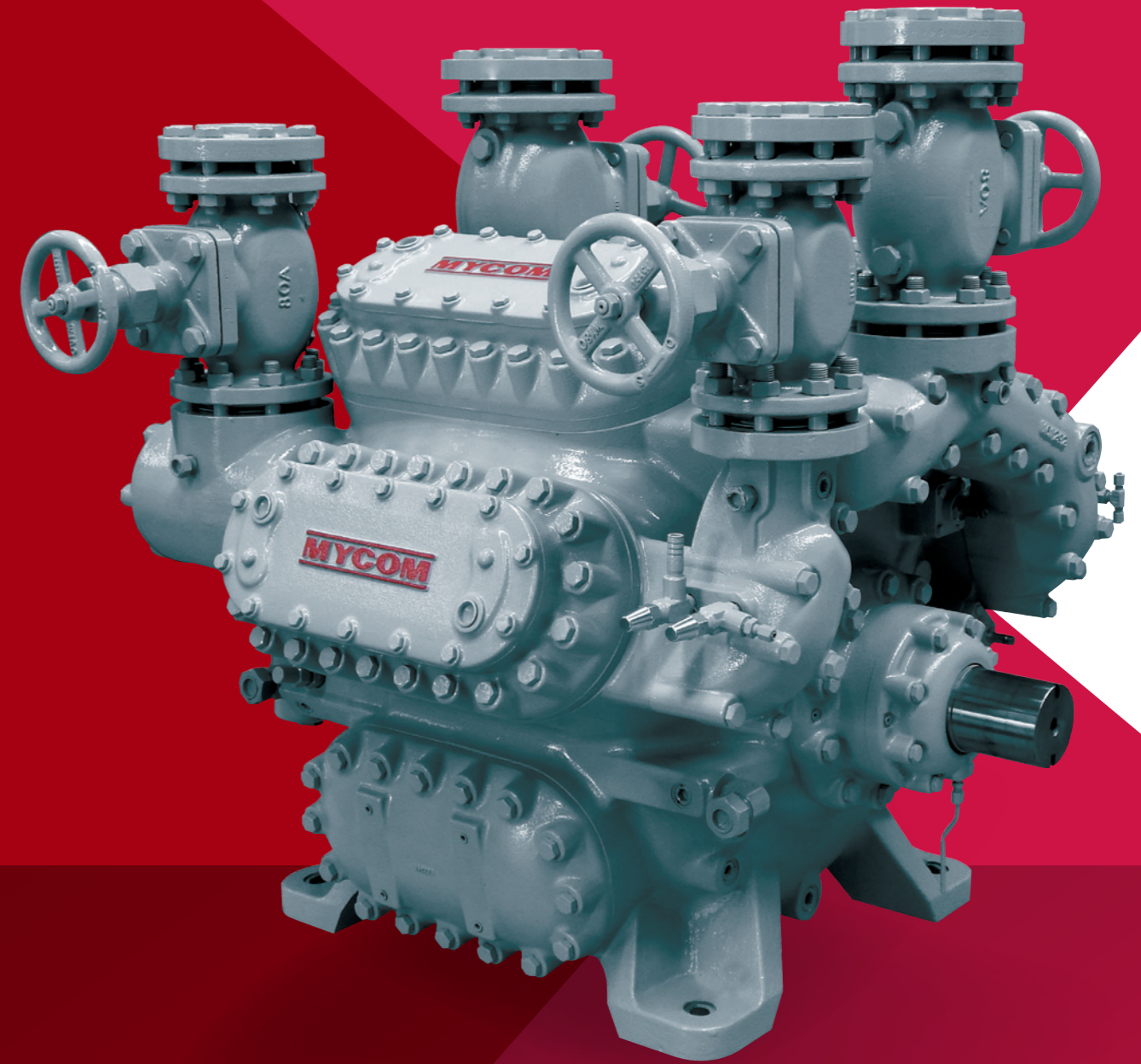


MII SERIES RECIPROCATING COMPRESSOR



MII SERIES RECIPROCATING COMPRESSOR

Reciprocating Compressor / **Two Stage** Open Type

M II SERIES



MYCOM

MAYEKAWA
MYCOM

The content of this pamphlet may change without advance notice due to improvements to the product.
* Mayekawa and MYCOM are registered trademarks of Mayekawa Mfg. Co., Ltd.

MAYEKAWA MFG.CO.,LTD.

[Head Office]: 3-14-15 Botan, Koto-ku, Tokyo 135-8482, JAPAN
TEL:(81)3-3642-8181 FAX:(81)3-3643-7094

[Inquiries]: global-contact@mayekawa.co.jp
<http://www.mayekawa.com>

PD147 01001609-16.09.

* Some optional items are included in this photo.

Excellence in performance, durability, and high-pressure resistance:
Next-generation energy saving compressor

Reciprocating Compressor [Two Stage] Open Type M II-SERIES



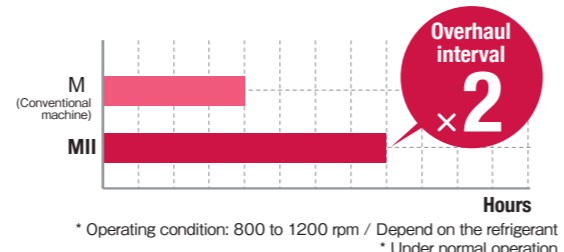
* Some optional items are included in this photo.

High Performance Derived from New Design

This newly designed compressor minimizes internal heating of the intake gas resulting in the highest level of performance in our product portfolio.

Much Improved Overhaul Intervals

The MII series incorporates a new valve structure with improved durability and dramatically extended overhaul intervals of 16,000 hours.



Applications

This model serve large-scale deep freezing applications.

Easy Maintenance

Hydraulic lines for capacity control are incorporated into the casing design, allowing simplified package designs as well as easy replacement of consumable components.

Multiple Applications

Multiple configurations are available in drive type (direct drive/belt drive) and refrigerant compatibility (Ammonia and Fluorocarbon refrigerants).

Specifications

Model*1 (N/F)		62M II
Item		
Refrigerant		Ammonia / HFCs (R404A, R507A)
Compressor type		Reciprocating, Open Type
Number of cylinders		Low stage : 6 High stage : 2
Bore	mm	146
Stroke	mm	106
Displacement*2	m ³ /h	Low stage : 620 High stage : 207
Rotation speed	rpm	800-1500*3
Drive method		Direct drive / Overhang motor / V-belt
Capacity control	%	100/66/33

*1. Specify the refrigerant by adding a prefix to the type code (N = Ammonia / F = Fluorocarbons).

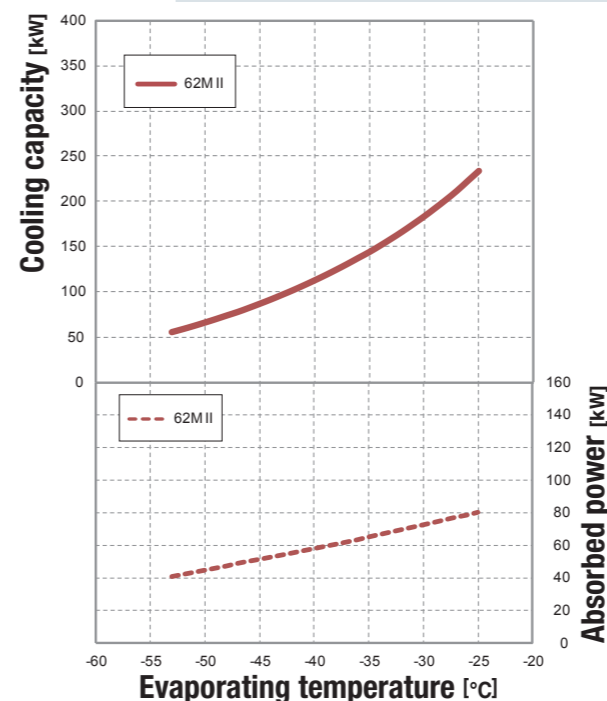
*2. Displacement at 970 rpm

*3. The range of rotation speed varies by operating conditions. Please refer to the ranges of use stated in the operating instructions.

Performance charts

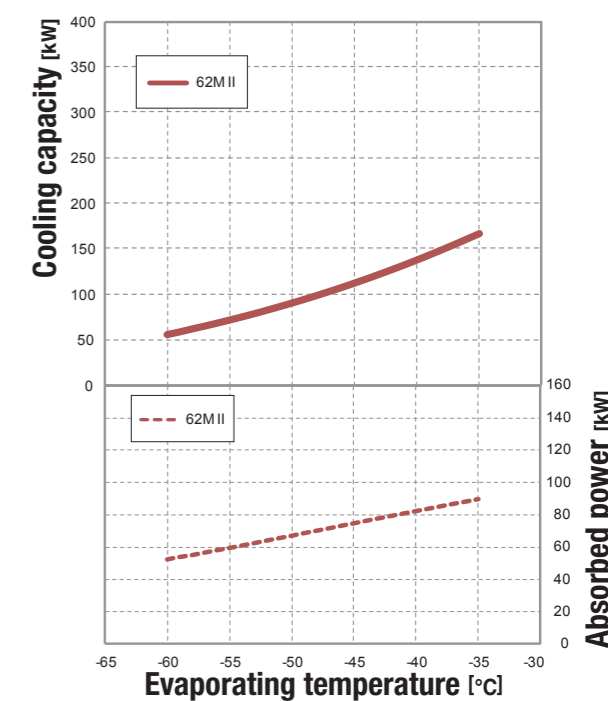
Ammonia

Condensing temperature: 35°C
Suction Superheat: 0°C
Rotation speed: 970rpm
Liquid Subcooling: 5°C



R404A

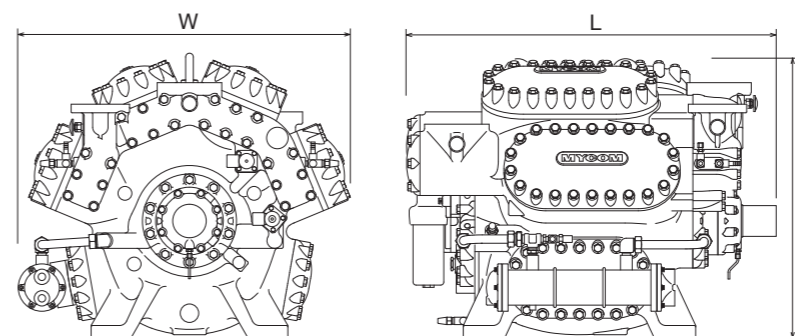
Condensing temperature: 35°C
Suction Superheat: 20°C
Rotation speed: 970rpm
Liquid Subcooling: 5°C



* Please consult us for further details.

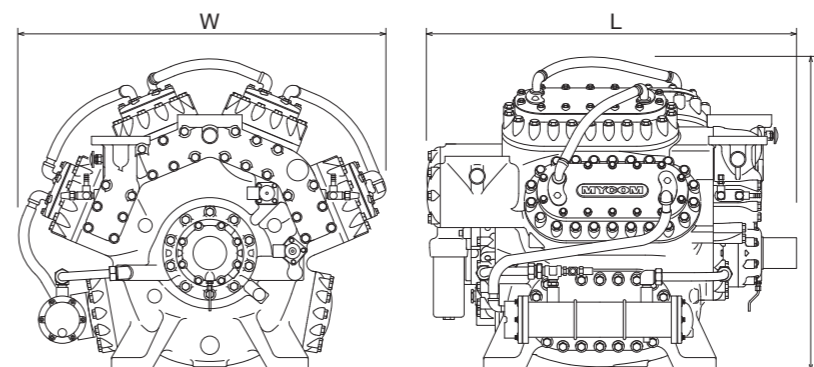
Outer dimensions

[Air cooled type (HFCs)]



Model (F)	Weight (kg)	W (mm)	L (mm)	H (mm)
62M II	1690	1085	1205	930

[Water cooled type (Ammonia)]



Model (N)	Weight (kg)	W (mm)	L (mm)	H (mm)
62M II	1730	1195	1205	1020

* The outer dimension drawings illustrate the 6-cylinder model.

* The stop valve, companion flange, flywheel, V-pulley, and safety valve are not included. * The oil cooler is included.