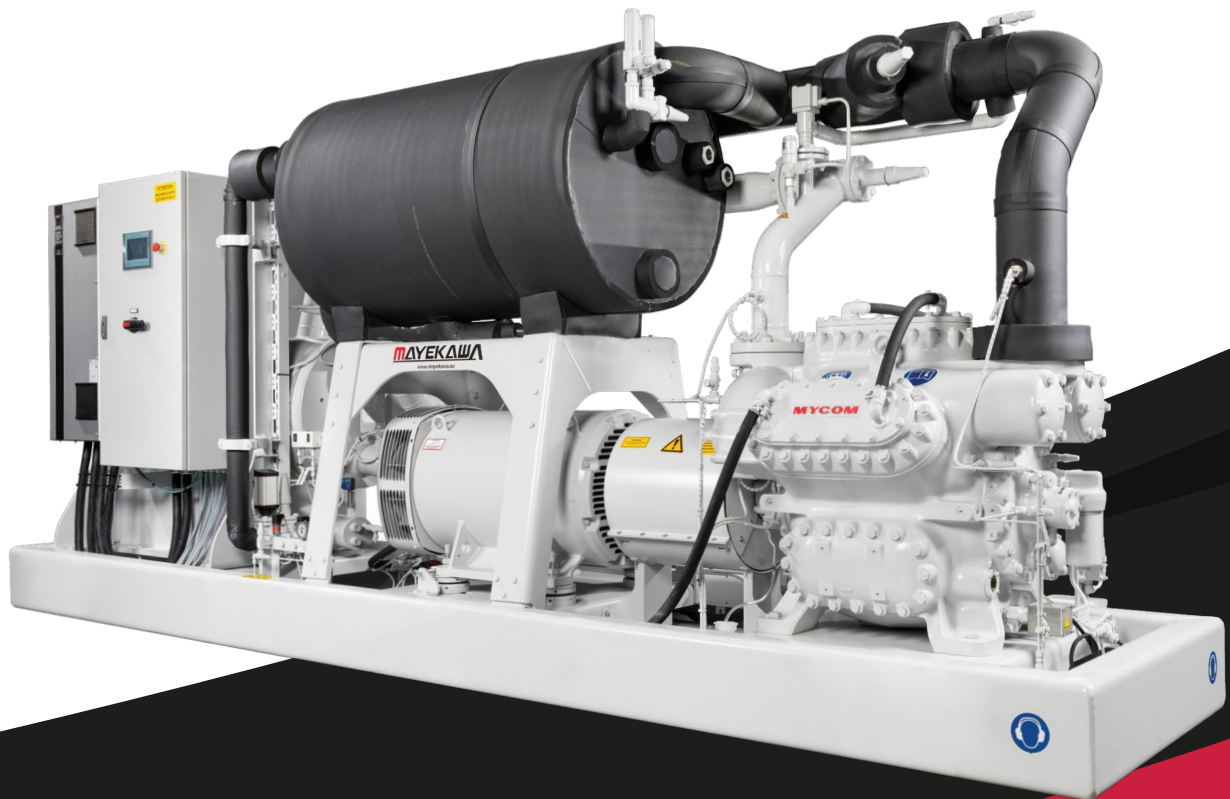


# FUGU

Ammonia Chiller

**MAYEKAWA**  
**MYCOM**



**Standard Water-cooled  
Ammonia Chiller**

<https://mayekawa.com/americas/mna>

# FUGU Water-Cooled Ammonia Chiller

Natural refrigerant, very low refrigerant charge

## BENEFITS

- Reliable performance
- Safe solution
- Low operation cost
- Easy and convenient installation

## APPLICATIONS

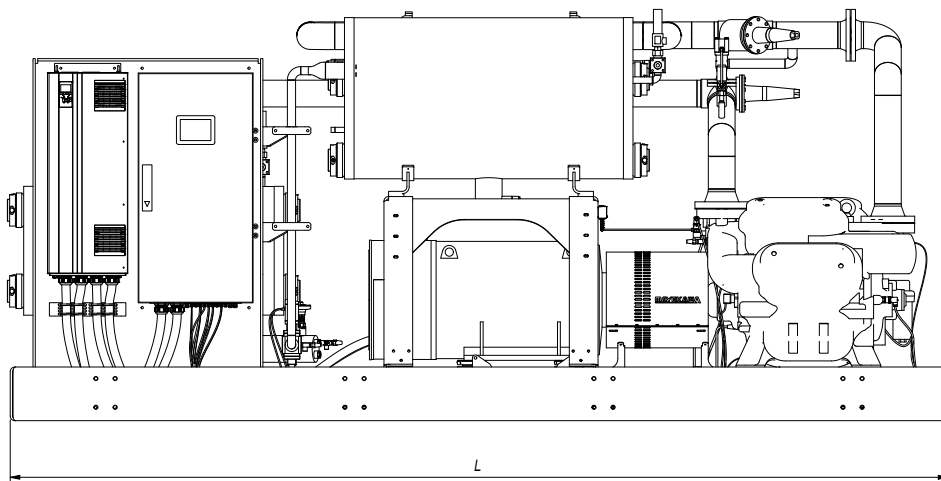
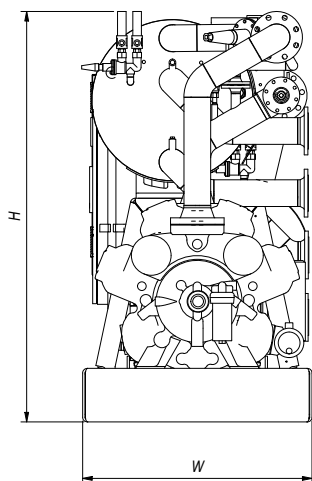
- Industrial and commercial markets
- Breweries and wineries
- Dairies and food processing
- Building comfort cooling

## KEY FEATURES

- Strong industrial design
- Low charge ammonia
- High efficiency
- Plug-and-play solution
- High efficiency reciprocating compressor
- Low capacity turn down capable, 100-25%

## DIMENSIONS & SPECIFICATIONS

Dimensions are for reference only. Please contact MYCOM for more detailed drawings.



mChILLER model	FUGU 1280R	FUGU 960R	FUGU 640R
Cooling side connections	(2) x 4 inch	(2) x 4 inch	(2) x 3 inch
Heat rejection side connections	(2) x 4 inch	(2) x 4 inch	(2) x 3 inch
Length (L)	193 inch	193 inch	193 inch
Width (W)	48 inch	48 inch	48 inch
Height (H)	84.5 inch	84.5 inch	77.5 inch
Dry weight	18,740 lbs.	17,750 lbs.	14,200 lbs.

\*Values are to be considered as guidance and will be finally confirmed in the quotation process.

## TECHNICAL DATA

Capacity according to EN12900.

General	FUGU 1280R		FUGU 960R		FUGU 640R	
<b>Package type:</b>	Water-cooled chiller	Water-cooled chiller	Water-cooled chiller	Water-cooled chiller	Water-cooled chiller	Water-cooled chiller
<b>Refrigerant/charge:</b>	R717 / 176 lbs.	R717 / 176 lbs.	R717 / 172 lbs.	R717 / 172 lbs.	R717 / 122 lbs.	R717 / 122 lbs.
<b>Total part load:</b>	11.0-100 %	11.0-100 %	14.5-100 %	14.5-100 %	21.5-100 %	21.5-100 %
<b>Cooling capacity:</b>	378 TR	225 TR	295 TR	174 TR	192 TR	121 TR
<b>Condenser capacity:</b>	53 14.8 kBtu	3394.9 kBtu	4121.3 kBtu	2615.6 kBtu	2696.8 kBtu	1817.2 kBtu
<b>Shaft power:</b>	306.4 BHP	270.2 BHP	228.9 BHP	204.6 BHP	155.6 BHP	135.7 BHP
<b>EER comp:</b>	5.82 (-)	3.94 (-)	6.07 (-)	4.02 (-)	6.20 (-)	4.30 (-)
<b>EER Total:</b>	5.47 (-)	3.70 (-)	5.71 (-)	3.79 (-)	5.90 (-)	4.00 (-)
<b>COP:</b>	6.82 (-)	4.94 (-)	7.07 (-)	5.02 (-)	7.20 (-)	5.30 (-)
<b>Evaporator</b>						
<b>Secondary medie:</b>	WATER	PG-30.0 %	WATER	PG-30.0 %	WATER	PG-30.0 %
<b>Secondary inlet:</b>	53.6 °F	32.0 °F	53.6 °F	32.0 °F	53.6 °F	32.0 °F
<b>Secondary outlet:</b>	44.6 °F	23.0 °F	44.6 °F	23.0 °F	44.6 °F	23.0 °F
<b>Flow:</b>	1,004 GPM	660 GPM	783 GPM	512 GPM	510 GPM	352 GPM
<b>Condenser</b>						
<b>Secondary medie:</b>	WATER	WATER	WATER	WATER	WATER	WATER
<b>Secondary inlet:</b>	86.0 °F	86.0 °F	86.0 °F	86.0 °F	86.0 °F	86.0 °F
<b>Secondary outlet:</b>	95.0 °F	95.0 °F	95.0 °F	95.0 °F	95.0 °F	95.0 °F
<b>Flow:</b>	1,184 GPM	757 GPM	920 GPM	585 GPM	603 GPM	405 GPM
<b>Electrical</b>						
<b>System grounding:</b>	TN-C-S	TN-C-S	TN-C-S	TN-C-S	TN-C-S	TN-C-S
<b>Package rated voltage:</b>	460/3/60 VAC	460/3/60 VAC	460/3/60 VAC	460/3/60 VAC	460/3/60 VAC	460/3/60 VAC
<b>Package rated current (MCA):</b>	452A	400A	340A	302A	236A	205A
<b>IK Max.:</b>	25kA	25kA	25kA	25kA	25kA	25kA
<b>Maximum fuse (MOCP):</b>	800A	700A	600A	600A	500A	400A
<b>Communication type:</b>	MODBUS TCP/IP, PROFINET	MODBUS TCP/IP, PROFINET	MODBUS TCP/IP, PROFINET	MODBUS TCP/IP, PROFINET	MODBUS TCP/IP, PROFINET	MODBUS TCP/IP, PROFINET

MAYEKAWA USA, INC.  
<https://mayekawa.com/americas/mna>

Tel: +1 (615) 773-2859  
 24 Hr Service: +1 (800) 836-9266  
 Email: [info@mayekawausa.com](mailto:info@mayekawausa.com)

\* The information contained herein is for reference only. Subject to change without notice.

**MAYEKAWA**  
**MYCOM**