

PascalAir • FC

Air Cycle Cooling System

Ultra-low temperature created by Air

ΜΑΥΕΚΑΨΑ

PascalAir

● Specifications

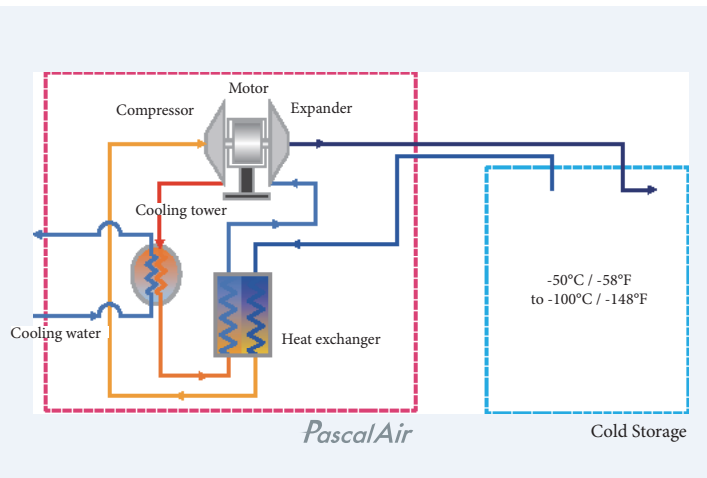
Items	Pascal Air	
	PAS15-R	PAS30-R
Model	PAS15-R	PAS30-R
Refrigerant	Not required	
Cooling power*	15kW / 4.26TR	30kW / 8.53TR
Compressor power*	30kW / 40.2HP	60kW / 80.4HP
Max. allowable pressure	0.2MPa / 29Psig	
Min. operating temperature	-100°C / -148°F	
Compressor type	Integral turbine compressor	
Expander type	Integral turbine expander	
Heat exchanger	Fin type aluminum plate	
Primary cooler material	Fin type SUS aluminum tube	

*@ -60°C / -76°F internal temperature

● Dimensions

	PAS15-R	PAS30-R
Length (mm/inch)	6,111 / 240	5,500 / 216
Width (mm/inch)	2,300 / 90	2,450 / 96
Height (mm/inch)	2,800 / 110	2,800 / 110

● Flow Chart



Pascal FC

● Specifications

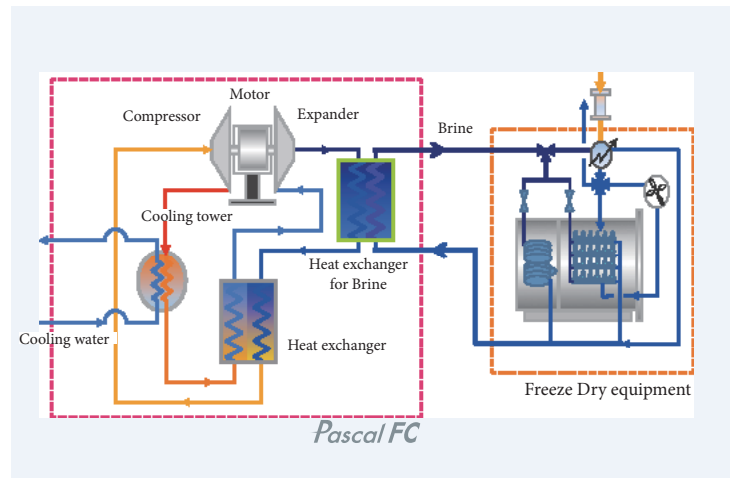
Items	Pascal FC	
	PAS15-B	PAS30-B
Model	PAS15-B	PAS30-B
Brine supply temperature	~-85°C / -121°F	
Cooling power**	15kW / 4.26TR	30kW / 8.53TR
Power**	30kW / 40.2HP	60kW / 80.4HP
Power supply	3ØxAC200/220Vx50/60Hz	3ØxAC400/440Vx50/60Hz
Control power supply	3ØxAC200/220Vx50/60Hz	3ØxAC200/220Vx50/60Hz
Refrigerant	Air, Nitrogen	
Compressor type	Turbine compressor	
Motor type	High frequency inverter type motor	

**@ -50°C / -58°F brine temperature

● Dimensions

	PAS15-B	PAS30-B
Length (mm/inch)	5,800 / 228	7,000 / 275
Width (mm/inch)	2,200 / 86	2,500 / 98
Height (mm/inch)	2,275 / 89	2,800 / 110

● Flow Chart (for Freeze dry application)



*Information herein is for reference only. Subject to change without notice.

MAYEKAWA

MAYEKAWA USA, INC.
www.mayekawausa.com

Tel: 800-806-9266 (800-80-MYCOM)
24 Hr Service: 855-663-6926 (855-ONE-MYCOM)
Email: info@mayekawausa.com

MAYEKAWA CANADA, INC.
www.mayekawausa.ca

Vancouver: 604-270-1544
Calgary: 403-250-1554
Toronto: 905-564-0664