

ΜΑΥΕΚΑΨΑ
MYCOM



WBHE

series

**Reciprocating
Compressor**

LONG LIFE

The W-Series of compressors have proven to be a reliable industry standard for industrial refrigeration applications for over 50 years in North America. With periodical maintenance and correct use, the MYCOM reciprocating compressors can last for decades and result in low life cycle ownership.

MAX 377 PSI

The WBHE-Series can handle higher pressure applications, applicable with Freon refrigerants, such as HFC-R404 and R507.

FLOATING HEAD PRESSURE

Reciprocating compressors do not require a Vi adjustment when the compression ration changes due to varying condensing pressure. Reciprocating compressors are always at their ideal BHP/TR performance level and out perform the efficiency of screw compressor at most load conditions.

OIL COOLING

Water-cooled or DX-cooled can be selected. Unlike screw compressors, the cost of building an oil cooling system on our compressors is very small and simple.

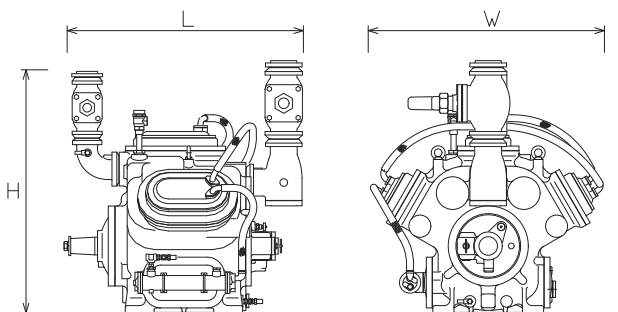
HEAD COOLING

Water-cooled, DX-cooled or Air-cooled options can be selected, depending on the refrigerant and application.



DIMENSIONS & SPECIFICATIONS

Dimensions are for reference only. Please contact MYCOM for more detailed drawings.



mm [inch]

MODEL	L	W	H
4WBHE	1,100 [43.3]	1,050 [41.3]	1,180 [46.4]
6WBHE	1,340 [52.7]	1,240 [48.8]	1,314 [51.7]
8WBHE	1,390 [54.7]	1,300 [51.1]	1,334 [52.5]
42WBHE	1,270 [50.0]	1,240 [48.8]	1,154 [45.4]
62WBHE	1,340 [52.7]	1,300 [51.1]	1,299 [51.1]

		4WBHE	6WBHE	8WBHE	42WBHE	62WBHE
Refrigerant		NH3 / HFCs / Propane				
Weight of Compressor	kg/lbs	1,100 / 2,426	1,300 / 2,867	1,570 / 3,462	1,340 / 2,955	1,610 / 3,550
Cylinder Diameter	mm/inch	130 / 5.12				
Stroke	mm/inch	100 / 3.94				
Design Pressure	MPa/PSI	2.6 / 377				
Number of Cylinders		4	6	8	Low Stage 4 High Stage 2	Low Stage 6 High Stage 2
Revolution	rpm	800 ~ 1,200				
Displacement (CFM)	800rpm	150	225	300	150 75.0	225 75.0
	1,000rpm	187	281	375	187 93.7	281 93.7
	1,200rpm	225	337	450	225 112	337 112
Driving Method		Direct Drive / V-Belt Drive				
Flywheels		C8	C10	C12	C8	C10
Volume Control	Load %	50, 100	33, 66, 100	25, 50, 75, 100	0, 50, 100 (Low Stage Only)	0, 33, 66, 100 (Low Stage Only)
	Method	Hydraulic Control Solenoid Valve (Unload When Energized)				
	Voltage V	120				
Refrigerant Oil		ISO-VG 46 to 68 (Ask Mayekawa Branch)				

* The information contained herein is for reference only. Subject to change without notice.