

**ΜΑΥΕΚΑΨΑ**  
**MYCOM**



**WA**

**series**

**Reciprocating  
Compressor**

# WA

# WA-Series Reciprocating Compressor

Established Industry Standard

## LONG LIFE

The W-Series of compressors have proven to be a reliable industry standard for industrial refrigeration applications for over 50 years in North America. With periodical maintenance and correct use, the MYCOM reciprocating compressors can last for decades and result in low life cycle ownership.

## SIMPLE OVERHAUL

MYCOM's proven design in reciprocating compressors makes this series simple to service or overhaul at site, therefore, minimizing both overhaul cost and down time. Unlike screw compressors, worn parts are better predicted so service budgets can be accurately predicted.

## FLOATING HEAD PRESSURE

Reciprocating compressors do not require a Vi adjustment when the compression ration changes due to varying condensing pressure. Reciprocating compressors are always at their ideal BHP/TR performance level and out perform the efficiency of screw compressor at most load conditions.

## OIL COOLING

Water-cooled or DX-cooled can be selected. Unlike screw compressors, the cost of building an oil cooling system on our compressors is very small and simple.

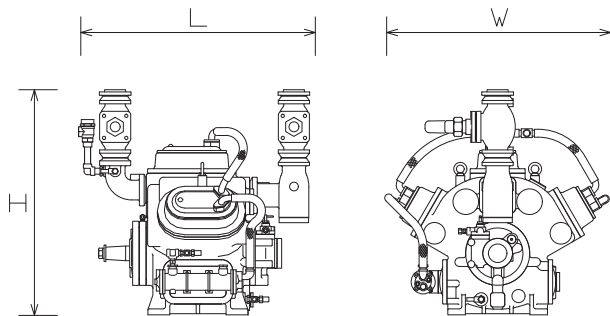
## HEAD COOLING

Water-cooled, DX-cooled or Air-cooled options can be selected, depending on the refrigerant and application.



## DIMENSIONS & SPECIFICATIONS

Dimensions are for reference only. Please contact MYCOM for more detailed drawings.



mm [inch]

MODEL	L	W	H
4WA	860 [33.8]	900 [35.4]	965 [37.9]
6WA	1,080 [42.5]	1,000 [39.3]	1,025 [40.3]
8WA	1,100 [43.3]	1,050 [41.3]	1,100 [43.3]
42WA	1,010 [39.7]	1,000 [39.3]	1,010 [39.7]
62WA	1,070 [42.1]	1,050 [41.3]	1,080 [42.5]

		4WA	6WA	8WA	42WA	62WA
Refrigerant		NH3 / HFC / Propane				
Weight of Compressor	kg/lbs	580 / 1,279	700 / 1,544	820 / 1,808	720 / 1,588	840 / 1,852
Cylinder Diameter	mm/inch	95 / 3.74				
Stroke	mm/inch	76 / 2.99				
Design Pressure	MPa/PSI	2.0 / 290				
Number of Cylinders		4	6	8	Low Stage 4 High Stage 2	Low Stage 6 High Stage 2
Revolution	rpm	800 (600 *Slower Speed Oil Pump) ~ 1,450				
Displacement (CFM)	600rpm	60.9	91.3	122	60.9 30.4	91.3 30.4
	1,000rpm	76.1	114	152	76.1 38.0	114 38.0
	1,200rpm	91.3	137	183	91.3 45.7	137 45.7
	1,450rpm	110	166	221	110 55.2	166 55.2
Driving Method		Direct Drive / V-Belt Drive				
Flywheels		C4	C6	C8	C4	C6
Volume Control	Load %	50, 100	33, 66, 100	25, 50, 75, 100	0, 50, 100 (Low Stage Only)	0, 33, 66, 100 (Low Stage Only)
	Method	Hydraulic Control Solenoid Valve (Unload When Energized)				
	Voltage V	120				
Refrigerant Oil		ISO-VG 46 to 68 (Ask Mayekawa Branch)				

\* The information contained herein is for reference only. Subject to change without notice.



Part No. MKT00016 Rev. 0

MYCOM (MAYEKAWA USA INC.)  
www.mayekawausa.com

Tel: (800) 806-9266 (800-80-MYCOM)  
24 Hr Service: (855) 663-6926 (855-ONE-MYCOM)  
Email: info@mayekawausa.com

MAYEKAWA CANADA INC.  
www.mayekawa.ca

Vancouver: 604-270-1544  
Calgary: 403-250-1554  
Toronto: 905-564-0664